



GfG Instrumentation
Worldwide Manufacturer of Gas Detection Solutions

**Supply Module SPG
for GMA 104 / 304**

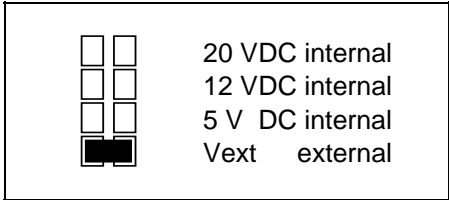
Operation Manual

Content

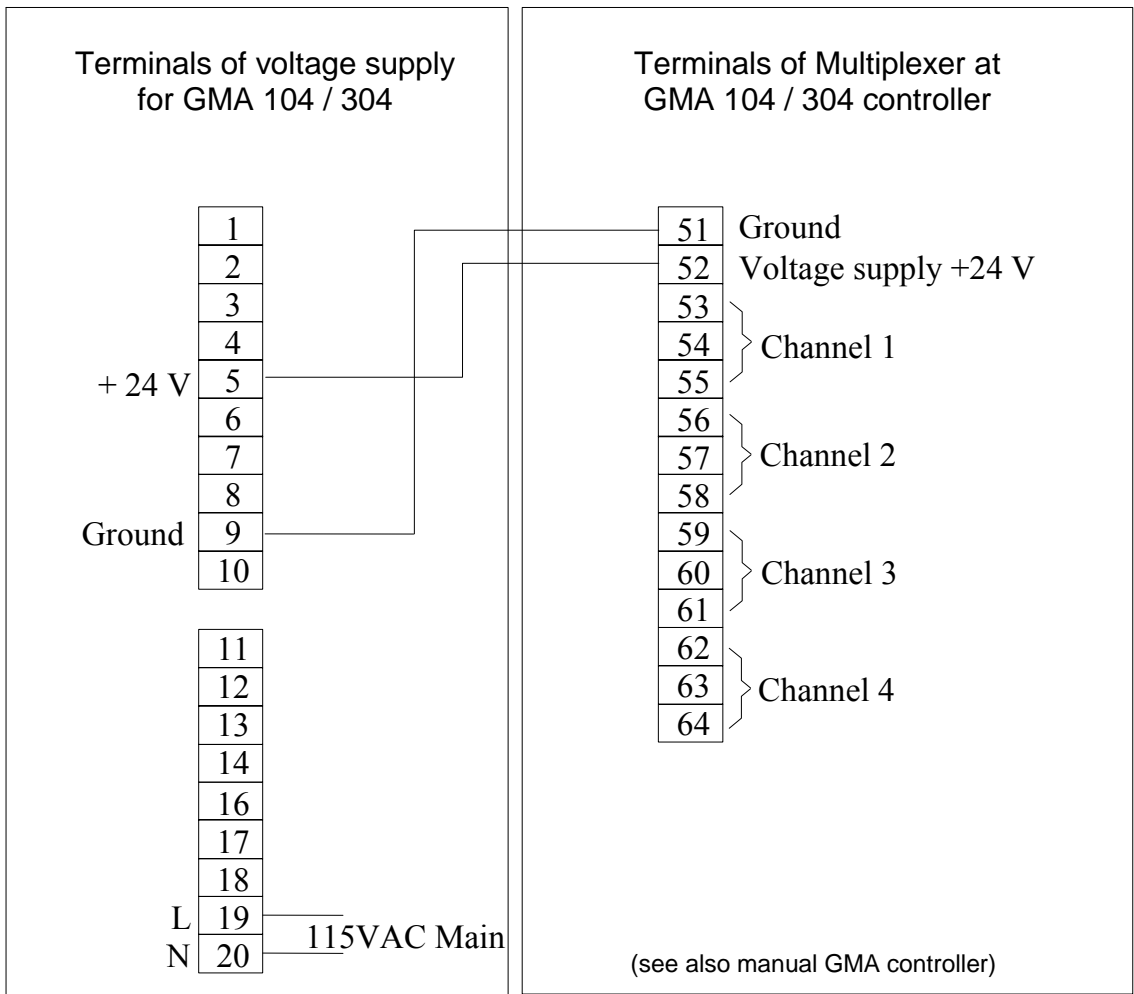
Supply Module for GMA 104 / 304	1
Terminal Diagram - Supply Module for GMA 104 / 304	2
Technical Data.....	3

Terminal Diagram - Supply Module for GMA 104 / 304

Solder Bridge on GMA 104 / 304 Controller



The multiplexer takes over the voltage supply for the GMA 104 / 304. This is why the solder bridge V_{ext} (external voltage supply) must be closed. The other 3 solder bridges remain open.



Refer to the GMA 104 / 304 operation manual for the terminal diagram of the multiplexer and the GMA 104 / 304 bus bar.

Technical Data

Slide-in Supply Module

Type: Slide-in module for 19" racks
Dimensions: Height: 129 mm, Width: 35.2 mm, Depth 160 mm

Current Supply

Operational voltage: 1. 230 V 50Hz or 115 V 60 Hz*
2. 24V DC (U_{in})
Power consumption: max. 14 VA
Primary fuse: T 0.08 A (for 230 V) T 500 mA (for 115 V)*
Secondary fuse: T 0.50 A **not applicable for VDE*

Climate Conditions

Ambient temperature: -10 ... +55 °C

Safety

Protection: DIN 40050 - IP30 (controller in 19" rack)
DIN 40050 - IP00 (individual controller)

Protective separation: by means of safety transformer
type: KLF-EN 14VA PRI 2x115V / SEC 2x18V 50-60Hz

Protective insulation: acc. to EN 61010 up to overvoltage category III and soiling degree 2
DIN 40050 - IP00 (individual controller)

Safety certificate: VDE test acc. to EN 61010 pending
DMT test acc. to EN50054 and EN50057 pending



GfG Instrumentation

1194 Oak Valley Drive, Suite 20
Ann Arbor, Michigan 48108 USA

Phone: (800) 959-0329 or (734) 769-0573

Fax (734) 769-1888

E-mail: info@gfg-inc.com

Website: www.gfg-inc.com